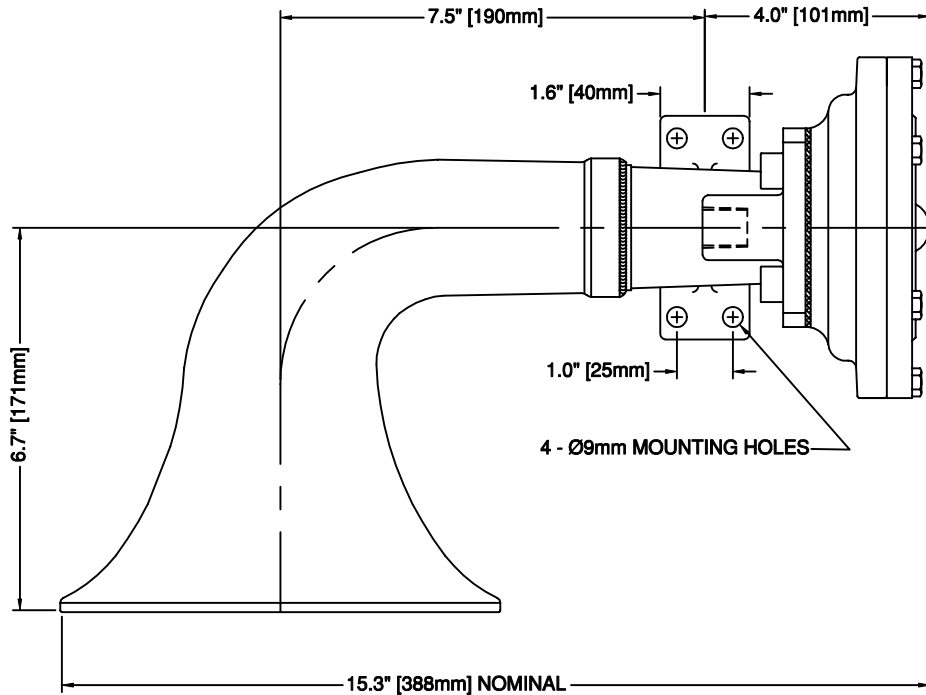
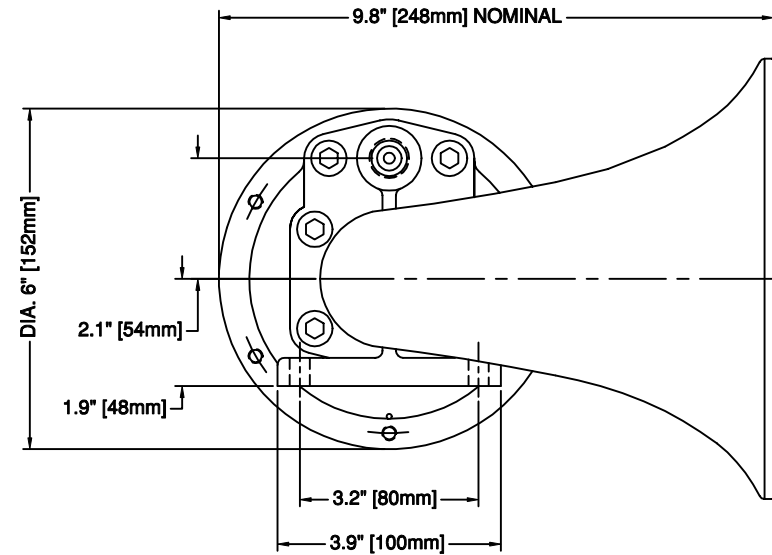
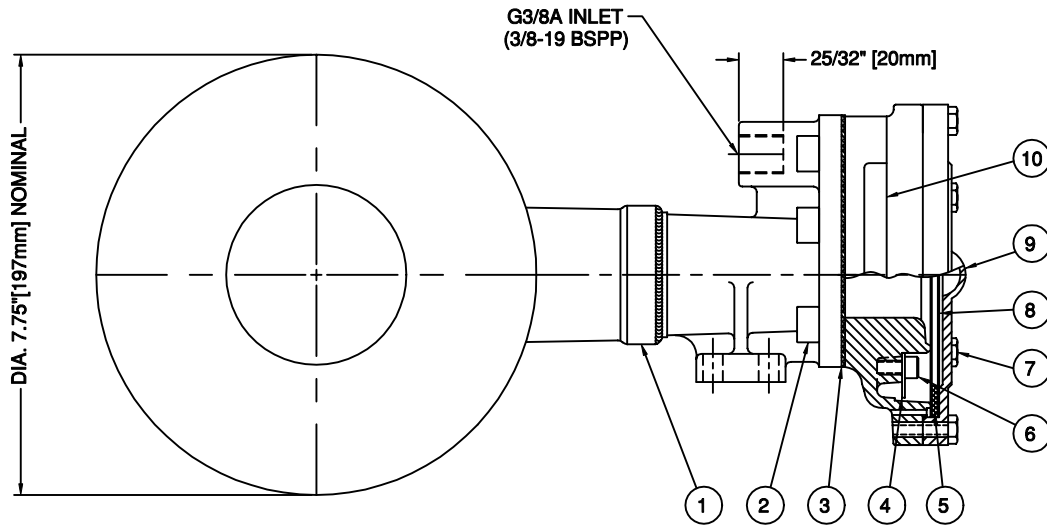


REVISIONS			
REV	DESCRIPTION	DATE (YR-MO-DA)	APPROVED
1	QA DOCUMENT NUMBER 100-01	99-02-23	P. A. 77.



ALL DIMENSIONS ARE FOR REFERENCE PURPOSE, UNLESS OTHERWISE SPECIFIED  
 FINISH: PRIMED AND BLACK TRIMITE SEMI GLOSS  
 D<sub>4</sub>, 280Hz FUNDAMENTAL FREQUENCY

**\* RECOMMENDED SPARE PARTS**

REF	PART	DESCRIPTION	MATERIAL	SPECIFICATION	QTY	
1	36308	BELL BODY, SUB-ASSEMBLY	CAST ALUMINIUM	UNS A13562	1	
2	36324	SOCKET HD. CAP SCREW	STAINLESS STEEL	ISO COARSE	6	
*	3	36307	HEAD GASKET	CORK NEOPRENE	COMMERCIAL	1
*	4	30143	DIFFUSER	STAINLESS STEEL	UNS S30400	1
*	5	30112	CUSHION RING	SILICONE RUBBER	ASTM D2000	1
	6	36144	SOCKET HD CAP SCREW	STAINLESS STEEL	ASTM F594	3
	7	30110	HEX HEAD CAP SCREW	STAINLESS STEEL	ASTM F593C	6
*	8	30111	DIAPHRAGM DISC	STAINLESS STEEL	UNS S30100	2
	9	30109	DIAPHRAGM CAP	DIE CAST ALUMINIUM	UNS A03830	1
	10	36320	DIAPHRAGM HEAD	CAST ALUMINIUM	UNS A13562	1

**CONFIDENTIAL**

INFORMATION CONTAINED HEREIN IS CONFIDENTIAL, IT IS THE PROPERTY OF AIRCHIME MFG. CO. LTD., IT IS TO BE USED SOLELY FOR THE PURPOSE PROVIDED, AND IT IS NOT TO BE DISCLOSED TO OTHERS WITHOUT THE PRIOR WRITTEN CONSENT OF AIRCHIME MANUFACTURING COMPANY LIMITED.

CONTRACT NUMBER

CUSTOMER:

GENERAL MOTOR

DRAWN BY:

CHECKER:

DRAWING APPROVAL

TYPE OF DRAWING:

DATE (YR-MO-DA)

APPROVED:

DRAWING APPROVAL

TYPE OF DRAWING:



**AIRCHIME MANUFACTURING CO. LTD.**  
 LANGLEY, B.C. CANADA  
 V4W 3S8

**MODEL KSV-1**  
 SINGLE TONE AIR HORN, VERTICAL MOUNT

SIZE  
 A NSCM  
 36575

**36350**

SCALE: NONE    UNIT WT: 3.8 Kg    SHEET: 1 OF 1