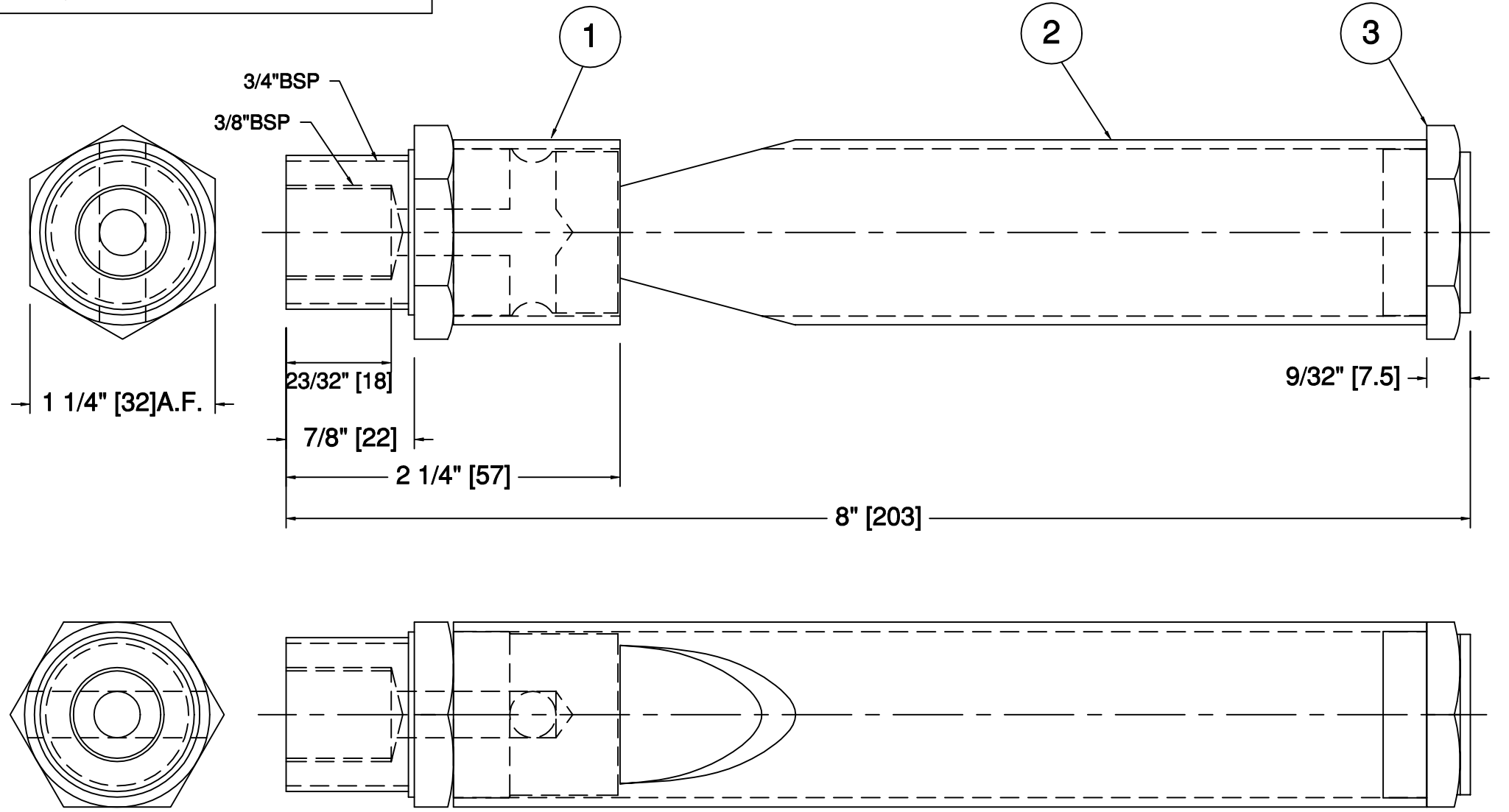


FUNDAMENTAL FREQUENCY: 685 Hz ± 2%  
 SPL: 108 dB(C) ON TOTAL AT 1 METER, WHILE  
 BLOWING WITH 85 PSIG (6 BAR) AND 15 SCFM  
 (7 L/Sec) AIR CONSUMPTION


**TYPE 3**

REVISIONS			
REV	DESCRIPTION	(YR-MO-DA)	APPROVED



**ALL DIMENSIONS ARE FOR REFERENCE ONLY,  
 UNLESS OTHERWISE SPECIFY**

REF	PART	DESCRIPTION	MATERIAL	SPECIFICATION	QTY
1	36840	WHISTLE BODY	NAVAL BRASS	ASTM B-21 / BS 2874 - CZ112	1
2	36842	WHISTLE TUBE	YELLOW BRASS	ASTM B-36 / BS 2874 - CZ126	1
3	36844	WHISTLE CAP	NAVAL BRASS	ASTM B-21 / BS 2874 - CZ112	1

<b>CONFIDENTIAL</b> INFORMATION CONTAINED HEREIN IS CONFIDENTIAL; IT IS THE PROPERTY OF AIRCHIME MFG. CO. LTD. IT IS TO BE USED SOLELY FOR THE PURPOSE PROVIDED AND IT IS NOT TO BE DISCLOSED TO OTHERS WITHOUT THE PRIOR WRITTEN CONSENT OF AIRCHIME MANUFACTURING COMPANY LIMITED. © CopyRight Airchime Mfg. Co. Ltd.	CONTRACT NUMBER:	 <b>AIRCHIME MANUFACTURING CO. LTD.</b> LANGLEY, B.C. CANADA V4W 3S8	
	CUSTOMER:		
	DRAWN BY: L.H.F.	DATE: 2002-08-06	<b>MODEL SW-1x7, SINGLE TONE          STEAM / AIR LOCOMOTIVE WHISTLE</b> <b>36850</b>
	CHECKED: D.F.	APPROVED: L.H.F.	
SCALE: NONE	WEIGHT: N/A	DRAWING TYPE: ASSEMBLY SHEET: 1 OF 1	