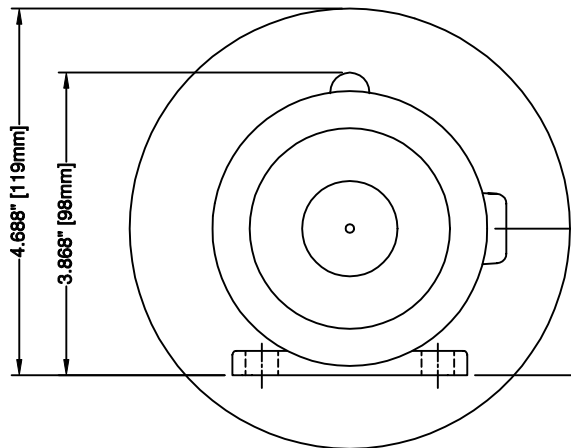
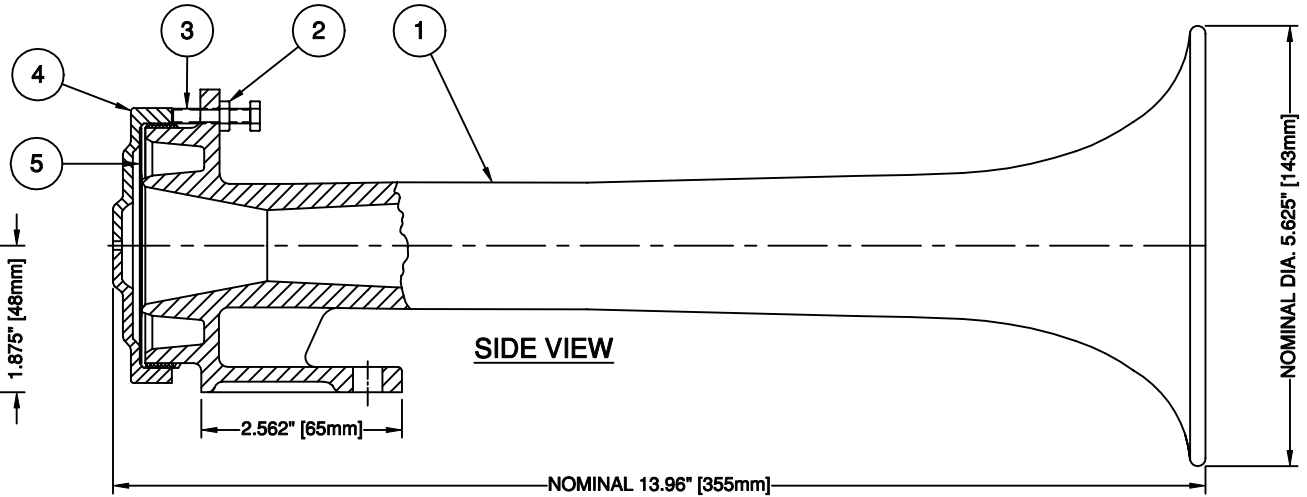


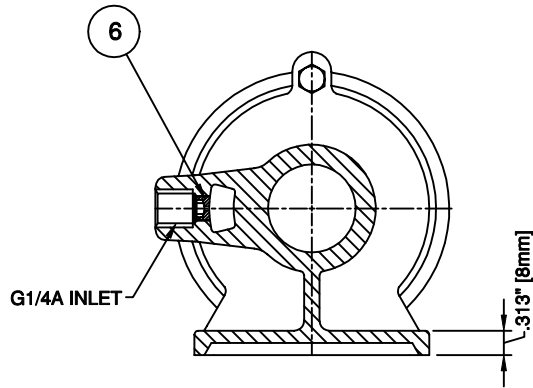
REVISIONS			
REV	DESCRIPTION	DATE (YR-MO-DA)	APPROVED



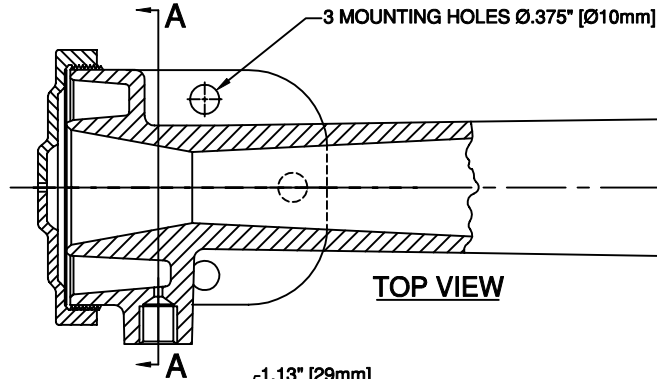
**BACK VIEW**



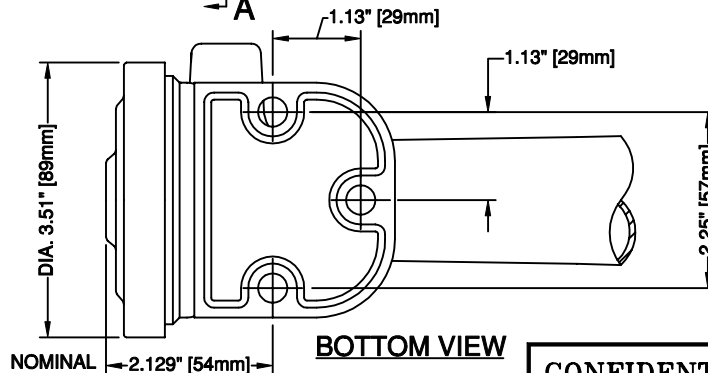
**SIDE VIEW**



**SECTION A-A**



**TOP VIEW**



**BOTTOM VIEW**

E FLAT NOTE, 311 Hz FUNDAMENTAL FREQUENCY  
 DIMENSIONS ARE FOR REFERENCE ONLY, U.O.W. STATED.  
 RESTRICTOR, PART No. 31006, REF 6 PROVIDED ONLY WHEN  
 REQUIRED FOR LOWER LOUDNESS OR AIR CONSUMPTION.  
 OPERATING PRESSURE: 1.5 TO 9 BAR

**\* RECOMMENDED SPARE PARTS**

REF	PART	DESCRIPTION	MATERIAL	SPECIFICATION	QTY
1	36201	BELL BODY, 311 Hz	CAST ALUMINUM	BSI 1490 LM6	1
2	36928	HEX NUT, 3/16-24	STAINLESS STEEL	BSW	1
3	36924	H.H. CAP SCREW, 3/16	STAINLESS STEEL	BSW	1
4	36209	DIAPHRAGM CAP	CAST ALUMINUM	BSI 1490 LM6	1
* 5	31003	DIAPHRAGM DISC	STAINLESS STEEL	ASTM A167	1
6	31006	RESTRICTOR	BRASS	ASTM B16	1

**CONFIDENTIAL**

INFORMATION CONTAINED HEREIN IS CONFIDENTIAL, IT IS THE PROPERTY OF AIRCHIME MFG. CO. LTD., IT IS TO BE USED SOLELY FOR THE PURPOSE PROVIDED, AND IT IS NOT TO BE DISCLOSED TO OTHERS WITHOUT THE PRIOR WRITTEN CONSENT OF AIRCHIME MANUFACTURING COMPANY LIMITED.

© Copyright Airchime Mfg. Co. Ltd.

CONTRACT NUMBER

CUSTOMER:

DRAWN BY: *L.H.F.* DATE (YR-MO-DA) 98-10-26

CHECKER: *V.A.M.* APPROVED: *B.W.C.*

DRAWING STATUS: UNCONTROLLED

TYPE OF DRAWING: ASSEMBLY



**AIRCHIME MANUFACTURING CO. LTD.**  
 LANGLEY, B.C. CANADA  
 V4W 3S8

**MODEL CS-1, 311 Hz  
 SINGLE TONE AIR HORN**

SIZE A NSCM 36575

**36027**

SCALE: NONE UNIT WT: 1.1 Kg SHEET: 1 OF 1