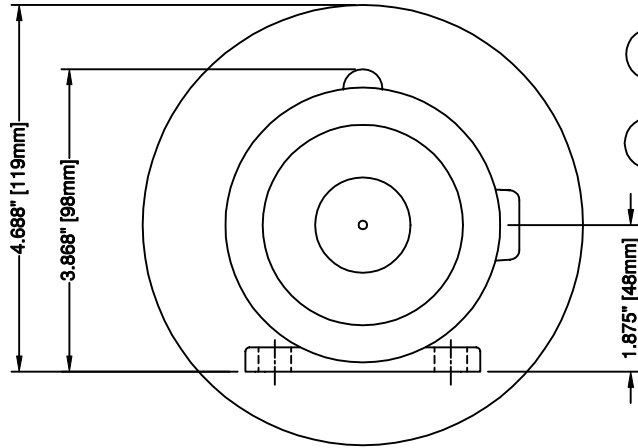
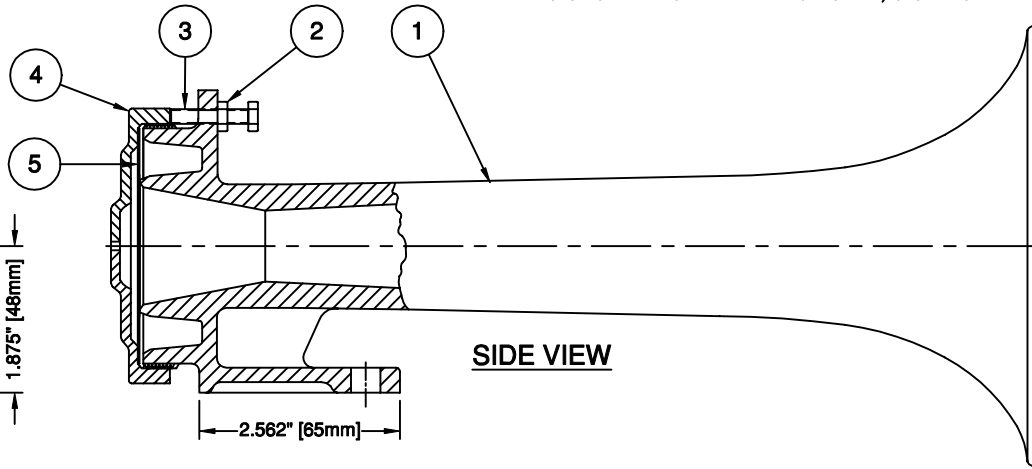


DIMENSIONS ARE FOR REFERENCE ONLY, U.O.W. STATED.

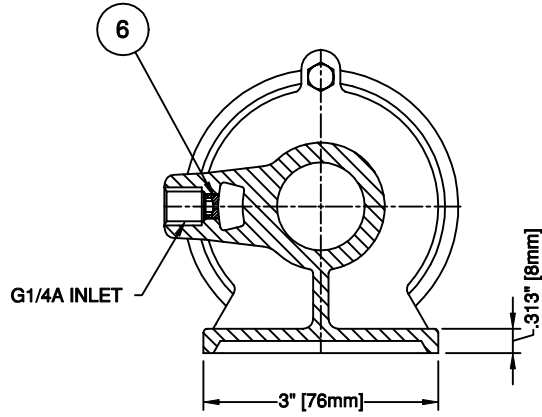
REVISIONS			
REV	DESCRIPTION	DATE (YR-MO-DA)	APPROVED



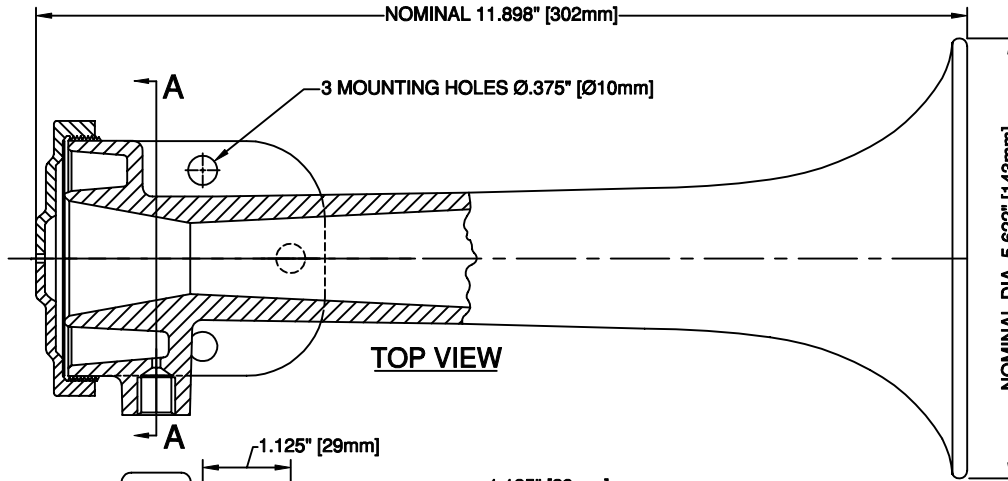
BACK VIEW



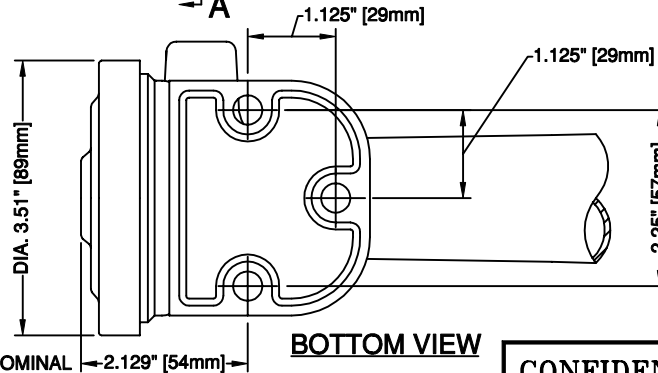
SIDE VIEW



SECTION A-A



TOP VIEW



BOTTOM VIEW

FUNDAMENTAL FREQUENCY: 360 Hz  $\pm$ 4%. SPL: 132  $\pm$ 1 dB(A) ON TOTAL AT 1 METER BLOWING WITH 100 PSIG (7 BAR) AND AIR CONSUMPTION OF 13 SCFM (6.1 L/SEC).  
 OPERATING PRESSURE: 1.5 TO 9 BAR  
 RESTRICTOR, PART No. 31006, REF 6 PROVIDED ONLY WHEN REQUIRED FOR LOWER LOUDNESS OR AIR CONSUMPTION.

\* RECOMMENDED SPARE PARTS

REF	PART	DESCRIPTION	MATERIAL	SPECIFICATION	QTY
1	36202	BELL BODY, 370 Hz	CAST ALUMINUM	BSI 1490 LM6	1
2	36928	HEX NUT, 3/16-24	STAINLESS STEEL	BSW	1
3	36924	H.H. CAP SCREW, 3/16	STAINLESS STEEL	BSW	1
4	36209	DIAPHRAGM CAP	CAST ALUMINUM	BSI 1490 LM6	1
* 5	31003	DIAPHRAGM DISC	STAINLESS STEEL	ASTM A167	1
6	31006	RESTRICTOR	BRASS	ASTM B16	1

CONFIDENTIAL

INFORMATION CONTAINED HEREIN IS CONFIDENTIAL, IT IS THE PROPERTY OF AIRCHIME MFG. CO. LTD., IT IS TO BE USED SOLELY FOR THE PURPOSE PROVIDED, AND IT IS NOT TO BE DISCLOSED TO OTHERS WITHOUT THE PRIOR WRITTEN CONSENT OF AIRCHIME MANUFACTURING COMPANY LIMITED.

© Copyright Airchime Mfg. Co. Ltd.

CONTRACT NUMBER

CUSTOMER:

DRAWN BY: *L.H.F.* DATE (YR-MO-DA) 98-10-26

CHECKER: *V.A.M.* APPROVED: *B.W.C.*

DRAWING STATUS: UNCONTROLLED

TYPE OF DRAWING: ASSEMBLY



AIRCHIME MANUFACTURING CO. LTD.  
 LANGLEY, B.C. CANADA  
 V4W 3S8

MODEL CS-2, 360 Hz  
 SINGLE TONE AIR HORN

SIZE A NSCM 36575 36030

SCALE: NONE UNIT WT: 2 lbs (0.9 Kg) SHEET: 1 OF 1